

Catalogue No: **SSFDN6303P**

FUSE SWITCH SSF DN EXTERNAL HANDLE KIT 3P 630A

Power Distribution and Protection > Fuse Isolators and Fuse Gear > Fuse Switches > Socomec Fuse Switches (SSF and PSF Series) > SSF Standard Switch Fuses (20 to 1250A) > Din Fuse Types



Representative Photo Only
(actual product may vary based on configuration selections)

Fuse Switch SSF DN 3 Pole 630A External Handle Kit

- 90-degree rotatory open-close. Supplied with handle and shaft for external operation
- Handles and switch fuse bodies both include a padlock facility to lock OFF the switch for lockout tagout (LOTO) insulation
- Suits DIN-NH fuse links 20 to 1250 A
- 100 kA fault rating
- 690 V AC rated
- Double breaking per pole (top and bottom) for isolated fuse removal
- Positive break indication
- TEST position for testing control circuits without energising the power poles using U-type auxiliary contacts
- Option: Fuse Monitoring Device for remote blown fuse indication
- Front Operated, Base mount
- Supplied with external handle and 320 mm shaft
- IP30
- Base Mounting

SPECIFICATIONS

Product Series	SSF
Component Type Fuse-gear	Fuse Switches
Fuse Cartridge Size	3 size
Fuse Current Rating	630 A
Un, Nominal Operational Voltage, AC	690 V AC
Ue, Rated Operational Voltage, AC, min	400 V AC
Ue, Rated Operational Voltage, AC, max	690 V AC
Ue, Rated Operational Voltage, DC, min	220 V DC
Ue, Rated Operational Voltage, DC, max	440 V DC
Ie, Rated Operational Current, AC-21a, 400V	630 A@400V
Ie, Rated Operational Current, AC-21a, 690V	500 A@690V
Ie, Rated Operational Current, AC-22a, 400V	630 A@400V
Ie, Rated Operational Current, AC-22a, 690V	500 A@690V
Ie, Rated Operational Current, AC-23a, 400V	630 A@400V
Ie, Rated Operational Current, AC-23a, 690V	315 A@690V
Ie, Rated Operational Current, DC-21a, 220V	315 A@220V
Ie, Rated Operational Current, DC-21a, 440V	315 A@440V
Ie, Rated Operational Current, DC-22a, 220V	315 A@220V
Ie, Rated Operational Current, DC-22a, 440V	315 A@440V
Ie, Rated Operational Current, DC-23a, 220V	400 A@220V
Ie, Rated Operational Current, DC-23a, 440V	315 A@440V
Current, Fuse-Protected Short-Circuit Capacity, 400V	70 kA
Icw, short time withstand current, 1s (rms)	80 kA for 1s
kW Rating, AC-23a, 400V, 3ph	355 kW @400V
kW Rating, AC-23a, 690V, 3ph	295 kW @690V
Poles	3P

Catalogue No: **SSFDN6303P**

FUSE SWITCH SSF DN EXTERNAL HANDLE KIT 3P 630A

Power Distribution and Protection > Fuse Isolators and Fuse Gear > Fuse Switches > Socomec Fuse Switches (SSF and PSF Series) > SSF Standard Switch Fuses (20 to 1250A) > Din Fuse Types



IP Rating	IP30
Uimp, Impulse Withstand Voltage	8 kV
Ui, Rated Insulation Voltage	1000 V (rms)
Wire / Conductor Size, Flex Cable, Min	2 x 150 mm ² min
Wire / Conductor Size, Flex Cable, Max	2 x 300 mm ² max
Mechanical Service Life	8000 cycles
Operating Temperature, Max	70 °C max
Height	300 mm
Width	364 mm
Depth	250 mm
Weight	16 kg
Standards Compliance	AS 60269.2.1 AS/NZS 60947-3 DIN 43620-3 IEC 60269-2-1 IEC 60947-3
Certifications	CCC KEMA

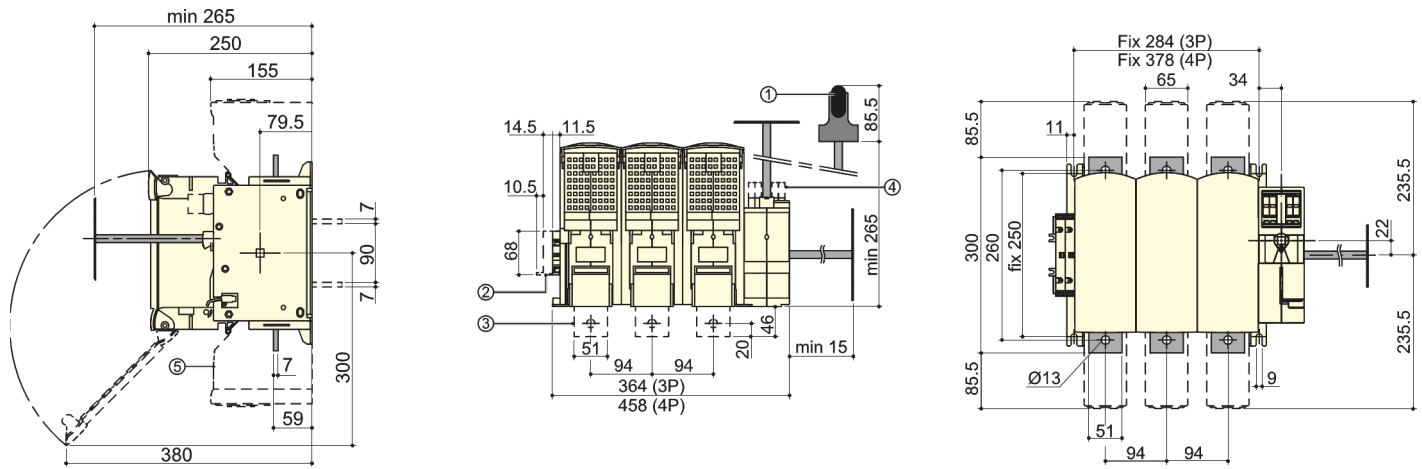
REFERENCES

IECEX Certificate	-
Supplier Declaration of Conformity:	-
Installation Guide:	-
User Manual:	-
Manufacturer Datasheet:	-
Manufacturer Catalogue & Product Selection:	-

Catalogue No: **SSFDN6303P**

FUSE SWITCH SSF DN EXTERNAL HANDLE KIT 3P 630A

Power Distribution and Protection > Fuse Isolators and Fuse Gear > Fuse Switches > Socomec Fuse Switches (SSF and PSF Series) > SSF Standard Switch Fuses (20 to 1250A) > Din Fuse Types



* to use if pre-break auxiliary contact number > 4

- ① Direct operation.
- ② Rear connection (option).
- ③ S type auxiliary contact N/O + N/C.
- ④ 1 to 8 pre-break auxiliary contact for signalling.
- ⑤ Terminal shrouds.

Dimension Diagram