

Catalogue No: **800TC-U29**

800T 30.5mm FS POTENTIOMETER 10 KOHMS RESISTIVE ELEMENT

Operator Control Devices > Pushbuttons and Control Switches > Pushbuttons and Pilot Lights > Allen-Bradley
800T/800H Pushbuttons > Potentiometers > Metal



Potentiometer 30.5mm Metal 10000 Ohm Resitive Element



- 800T (metal) and 800H (plastic) 30.5mm product lines are designed and constructed to perform in the most demanding industrial environments.
- Button caps made from thermoplastic polyester resin and deliver excellent resistance to corrosive agents and ensure color identification is never lost.
- Operator bushings are made from die cast zinc alloy giving strength and stability in installation.
- Riveted construction of the operator bushing, diaphragm seal and base plate, by four secure steel rivets, provides increased durability and tamper resistance.

Representative Photo Only
(actual product may vary based on configuration selections)

SPECIFICATIONS

| | |
|--|---|
| Product Series | 800TC-U |
| Component Type Pushbutton and Pilot Lights | Potentiometer |
| Resistance | 10000 Ω |
| Material, Operator | Zinc Alloy, Die-Cast, Chrome-Plated material |
| Material, Bezel | Zinc |
| Diameter | 34.9 mm |
| Mechanical Service Life | 25000 cycles |
| Operating Temperature, Max | 55 °C max |
| Operating Temperature, Min | -40 °C min |
| Storage Temperature, Max | 85 °C max |
| Storage Temperature, Min | -40 °C min |
| Relative humidity, min | 50 %RH |
| Relative Humidity, Max | 95 %RH |
| Shock Acceleration (Max.) | 100 g |
| Shock Duration (Max.) | 11 ms |
| Vibration Acceleration (Max.) | 10 m/s ² |
| Vibration Displacement (Peak to Peak Max.) | 1.52 mm |
| Vibration Frequency, Operational (Max.) | 2000 Hz |
| Standards Compliance | UL 508 CSA C22.2 No. 14 EN 60947-5-1 EN 60947-5-5 ISO 13850 |
| Certifications | CE CSA UL CCC |

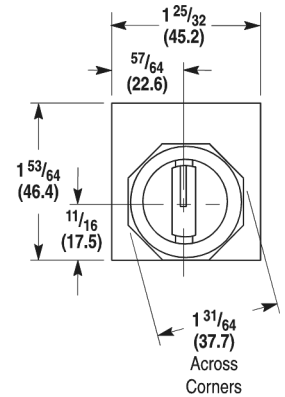
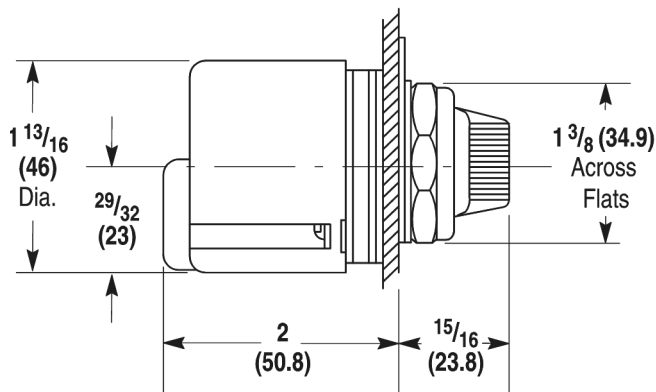
Catalogue No: **800TC-U29**

800T 30.5mm FS POTENTIOMETER 10 KOHMS RESISTIVE ELEMENT

Operator Control Devices > Pushbuttons and Control Switches > Pushbuttons and Pilot Lights > Allen-Bradley
800T/800H Pushbuttons > Potentiometers > Metal



| REFERENCES | |
|---|--|
| IECEX Certificate | - |
| Supplier Declaration of Conformity: | - |
| Installation Guide: | - |
| User Manual: | - |
| Manufacturer Datasheet: | 800T/800H_Manufacturer Datasheet |
| Manufacturer Catalogue & Product Selection: | 800TCU29_Manufacturer Catalogue |



Type J Potentiometer Unit
Shipping Wt. 4 oz (0.11 kg)

Dimension Diagram