

LED polycarbonate satellite series

Emergency lights



LED Satellite Range
Suitable for all applications.
Energy efficient design, consume less than 1W in stand by mode (SPU),
Elegant and unobtrusive with 4 different dish sizes to suit new and existing
installations.
Two rate charge battery mechanism for optimum battery performance.

Pack	Cat No	Polycarbonate SPUs
		LED Premium
		1 x HB LED, extra low stand-by power consumption (less than 1 W) NiCd dual rate charge (HRC: 150mA - LRC: 40mA)
1	684850	Satellite LED with Flex and Plug D40
1	684855	Satellite LED with Flex and Plug D25
1	684852	Satellite LED with Flex and Plug Black
1	684853	Satellite LED Surface mount
1	684854	Satellite LED Surface mount Black
1	684875	Satellite LED IP65 Surface Mount
1	684878	Satellite LED IP65 Surface Mount for Freezer to -25°C*

Pack	Cat No	Computer Monitored SPUs
		LED Premium
		Axiom Wireless/Commander Wired
		1 x HB LED, extra low stand-by power consumption (less than 1.5 W) NiCd dual rate charge (HRC: 150mA - LRC: 40mA)
1	684860	Satellite LED with Flex and Plug
1	684862	Satellite LED with Flex and Plug Black
1	684863	Satellite LED Surface mount
1	684864	Satellite LED Surface mount Black
1	684879	Satellite LED IP65 Surface Mount
1	684880	Satellite LED IP65 Surface Mount for Freezer to -25°C*

Pack	Cat No	Accessories
1	684870	LED Satellite three dish sizes Kit (80, 120, 150mm)
1	684871	LED Satellite three dish sizes Kit Black (80, 120, 150mm)
1	684874	Battery Pack for LED Satellite

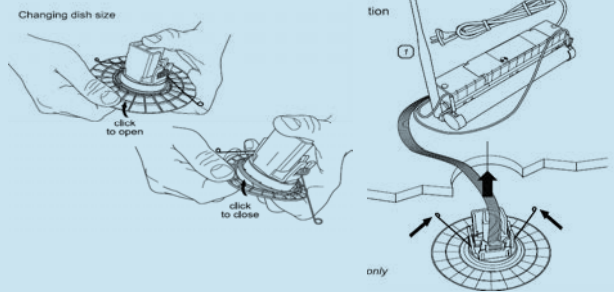
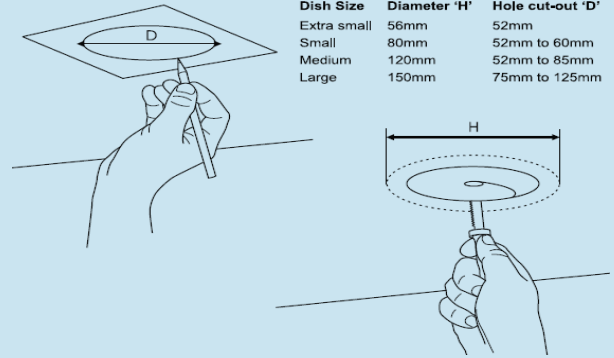
*Dish only

LED polycarbonate satellite series

Emergency lights - Dimensions

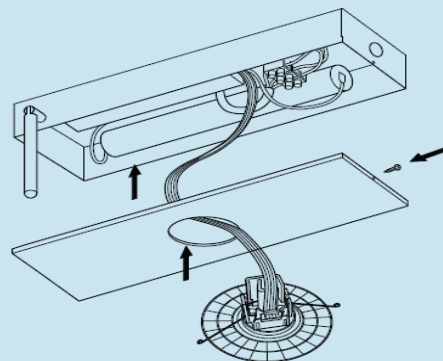
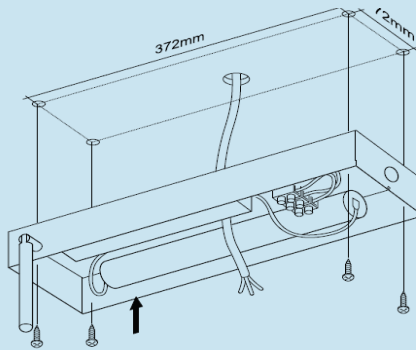
Product Installation and dimensions

Ceiling cut out template



Surface mount satellite

Box dimension 436mm x 135mm x 53mm



Some items sold separately

For pack quantity, please refer to numerical index pages.

For trade price, please see your local HPM legrand representative for the current price list.

LED polycarbonate satellite series

Emergency lights

Technical Specifications

Product specifications		
Cat. no.	684850	684860
Type	SPU	AXIOM/Commander
Lamp	1 x HBLED	
Battery	NiCd 5 x 1 Sub-C cells linear - 6.0Vdc 1.5Ah	
Charging mechanism	Dual rate charge	
Charging current	150mA (hrc) - 40mA (lrc)	
Operating voltage	240 a.c. +/- 6% 50Hz	
Power consumption	0.95W	1.4W
Body constructions	Polycarbonate white	
Operating temperature	10° to 40° (-25°C to 40°C freezer option)	
IP rating	IP20	

Product Dimensions

Dis Size	Dish diameter (mm)	Hole cut-out (mm)	Recommended hole cut out (mm)
Extra small (LED Assy)	56	52	52
Small	80	52 - 60	55
Medium	120	52 - 85	75
Large	150	75 - 125	120

Emergency Lighting Classification

CatNo	Satellite Recess Mount C0/C90	Satellite Recess Mount Black C0/C90	Satellite Surface Mount C0/C90	Surface Mount Black C0/C90	Surface Mount IP65 C0/C90	Surface Mount Freezer C0/C90
684850	D40/D40					
684855	D25/D25					
684852		D40/D40				
684853			D40/D40			
684854				D40/D40		
684875					D25/D25	
684878						D25/D25
684860	D40/D40					
684862		D40/D40				
684863			D40/D40			
684864				D40/D40		
684879					D25/D25	
684880						D25/D25

Emergency Lighting Classification Table

	Mounting Height (m)														
	2.1	2.4	2.7	3	3.3	3.6	4	4.5	5	6	7	8	9	10	15
D25	14.2	14.7	15.3	15.7	16.1	16.5	16.9	17.3	17.7	18.1	18.3	18.2	17.9	17.3	7.7
D40	16.7	17.4	18.0	18.6	19.1	19.6	20.1	20.8	21.3	22.1	22.7	23.0	23.1	23.1	19.4