

Refer catalogue F1

Industrial power relays

Quick connect

- Reduced installation costs
- Suitable for high power switching
- Flange mounted
- Terminals suit 4.8 mm Faston lugs

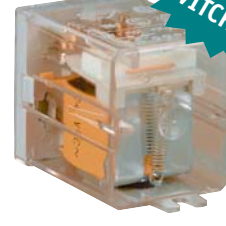


20 A SWITCHING

Cat. No.

65.31...V AC

65.31...V DC



30 A SWITCHING

Cat. No.






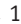

65.31M...V AC

65.31M...V DC

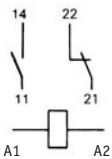
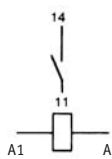
Contact specifications

Contact configuration	1 N/O + 1 N/C	1 N/O
Rated current	20 A	30 A
Rated voltage	250 V AC	
Rated load in AC 1	5,000 VA	7,500 VA
Rated load in AC 15 (230 V AC)	1000 VA	1250 VA
Single phase motor rating (230 V AC)	1.1 kW	1.5 kW
Breaking capacity in DC 1 : 30/110/220 V	20/0.8/0.5 A	30/1.1/0.7 A
Maximum peak current	40 A	50 A
Maximum switching voltage	400 V AC	
Minimum switching load	1,000 mW	


Coil specifications

Nominal voltage (U _N)	(50/60 Hz) AC	6  , 12, 24, 48, 60  , 110, 240	24, 110, 230, 240
	DC	6  , 12, 24, 48, 60  , 110	12  , 24  , 48  , 125
Rated power AC/DC	2.2 VA/1.3 W		
Operation range	(50 Hz) AC	(0.8...1.1) U _N	
	DC	(0.85...1.1) U _N	
Holding voltage AC/DC	0.8 U _N /0.6 U _N		
Must drop-out voltage	0.2 U _N /0.1 U _N		

Technical data

Mechanical life AC/DC	10.10 ⁵ /30.10 ⁶ cycles	
Electrical life @ rated load AC 1	80.10 ³ cycles	50.10 ³ cycles
Insulation between coil and contacts	4 kV	
Ambient temperature range	-40 °C...+50 °C	
Protection rating	IP 50	
Connection diagram		

Notes: The equipment on this page is rated 230/400 V and is suitable for use on 240/415 V systems as per AS 60038:2000.

 Available on indent only.

Relay dimensions (mm)

65 Series

Cat. No. 65.31, 65.31M

