

Earth Leakage Relay RD3A, DIN mount 2 module 24-150V DC



- DIN mount 2 pole width
- IΔn LED indication 20, 40, 60% setting
- 1 change-over contact
- Manual or automatic reset
- Harmonic Filter

Representative Photo Only  
(actual product may vary based on configuration selections)

**SPECIFICATIONS**

Product Series	Delta D2-S
Component Type Power Distribution & Protection	Earth Leakage Relay
Details, Connection	Low voltage lines, with series TD transformer.
Details, Automatic Reset	3 attempts
Input Frequency, Nom	50 Hz
Waveform	Sinusoidal (type AC) or chopped pulsating with superimposed D.C. (type A) according to EN60947-2 (annex Band M) IEC60947-2
Operational Frequency, Min	47 Hz min
Operational Frequency, Max	63 Hz max
Umin, Supply Voltage, DC, Min	20 V DC
Umax, Supply Voltage, DC, Max	150 V DC
Burden, Rated	2.5 VA
Power Dissipation, Max	2 W
Number of Setpoints	19
Setpoint Range(s)	0.03 ... 30A Configurable
Configuration Method	Potentiometer / DIP-Switch
Trip Time, Max	5000 ms
Details, Indicator	Power ON: Green LED "ON". Alarm intervention: Red LED "Trip" + Relay switching. Ring current transformer - relay connection failure: Red LED "Trip" blinking + Relay switching.
Display Technology	LED Sequence
Reset Type	Automatic / Manual
Alarm Function	Yes
Details, Alarm	Trip contact and RED LED
Number of Alarm Contacts	1

# Catalogue No: **RD3AF1H**

## ELR DIN MOUNT 2P 1C/O 24-150V DC

Power Distribution and Protection > Earth Leakage Protection > Earth Leakage Relays > IME Earth Leakage Relays and Toroids > DIN Mount Earth Leakage Relays > RD3AF series



Contact Configuration	1 CO
Reverse Polarity Protection	Yes Y/N
Details, Output(s)	1 SPDT contact. Positive and Negative security.
Installation Category	III
Pollution Degree	2
Ui, Rated Insulation Voltage	450 V (rms)
Uimp, Impulse Withstand Voltage	5 kV
Terminal Type	Screw Terminal(s)
Mounting	DIN-35 Rail Mount
Material, Body / Housing	Plastic PC (Polycarbonate) self-extinguishing material
IP Rating, Front	IP50
IP Rating, Terminals	IP20
Frequency Tolerance	47...63 Hz
Non-operating residual current (IEC60755)	50% I $\Delta$ n
Intervention time t:	0, 0.15, 0.25, 0.5, 1.0, 2.5, and 5 s
Operating Temperature, Min	-10 °C min
Operating Temperature, Max	55 °C max
Storage Temperature, Min	-40 °C min
Storage Temperature, Max	70 °C max
Humidity Type	Suitable for tropical environments
Height	89 mm
Current set point I $\Delta$ n	0.03, 0.05, 0.075, 0.1, 0.15, 0.2, 0.3 3 ranges x1, x10, x100
Standards Compliance	EN 60947-2 IEC 60947-2 EN 60947-1 IEC 60947-1 EN 60755 DIN 43880 EN 60715 IEC 60715 IEC 60529 EN 60529 IEC 60755 AS 60947-2 EN 50081-1 EN 50082-2 EN 55011
Power On	Green LED
Visible Trip Indicator	Red LED
Relative Humidity, Average	50 %RH
Sealable	Yes
Width	35 mm
Depth	65.6 mm
Weight	0.2 kg
RCD Type, AS/NZS 60947-2	A
I $\Delta$ n, Leakage Current, Max	30 A

# Catalogue No: **RD3AF1H**

## ELR DIN MOUNT 2P 1C/O 24-150V DC

Power Distribution and Protection > Earth Leakage Protection > Earth Leakage Relays > IME Earth Leakage Relays and Toroids > DIN Mount Earth Leakage Relays > RD3AF series



### REFERENCES

IECEX Certificate -

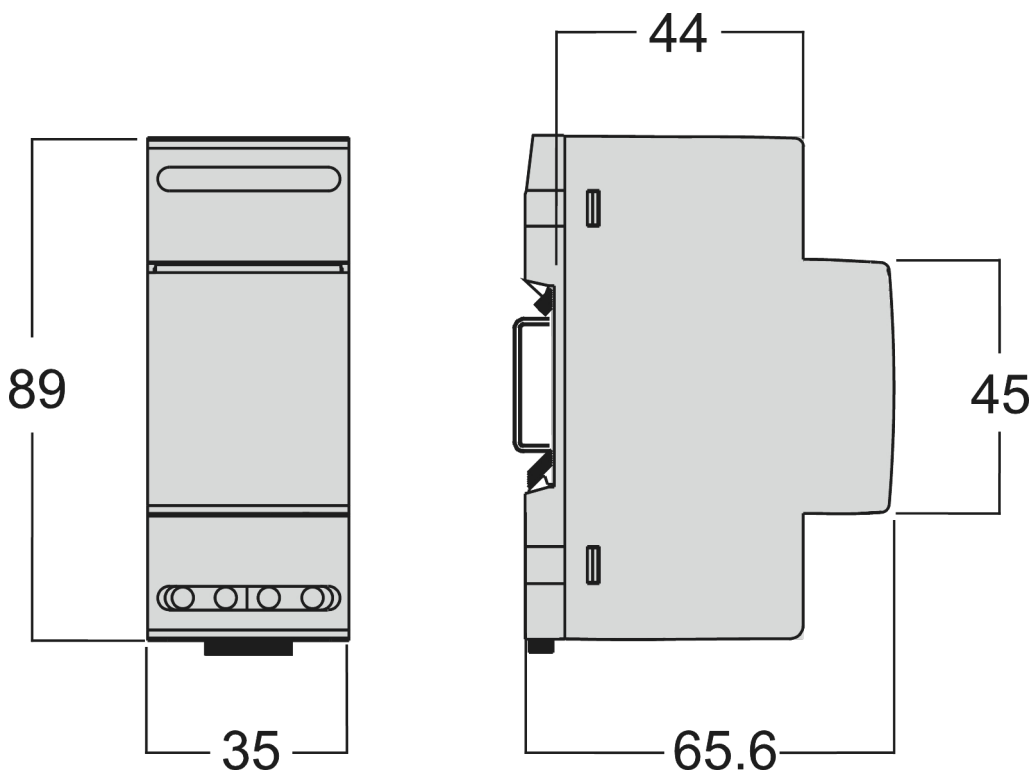
Supplier Declaration of Conformity: -

Installation Guide: -

User Manual: [RD3AF1H\\_User Manual](#)

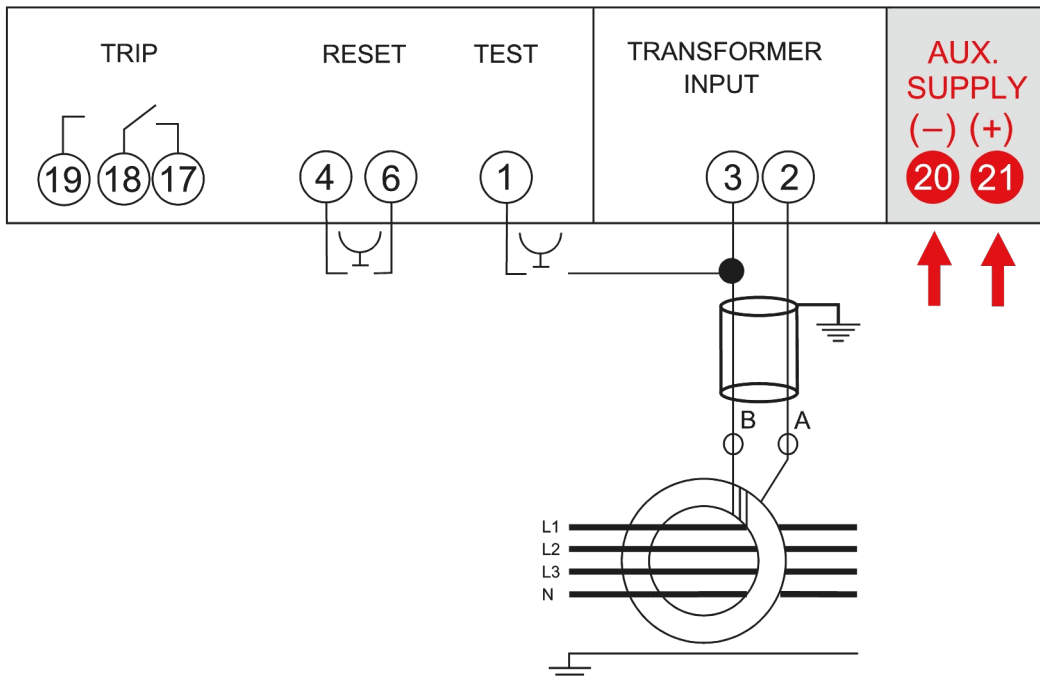
Manufacturer Datasheet: [RD3AF1H\\_Manufacturer Datasheet](#)

Manufacturer Catalogue & Product Selection: -

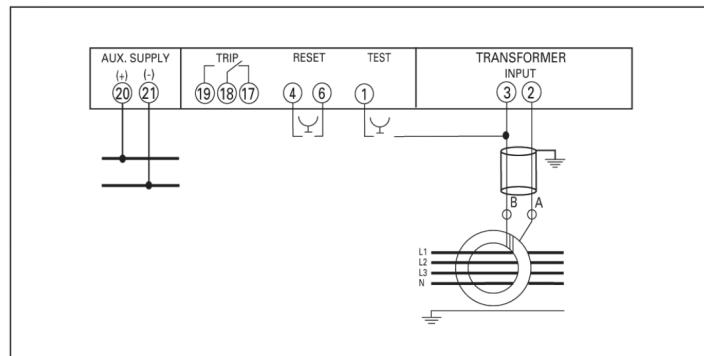


Dimension Diagram

## S 291/80



Connection / Wiring Diagram



Technical Diagram